


BOVIBOOSTER | L4DL

EXTRA INFO REGARDING 12/20MM AND 19/28MM 40 BAR PVC HOSE INSTALLATION

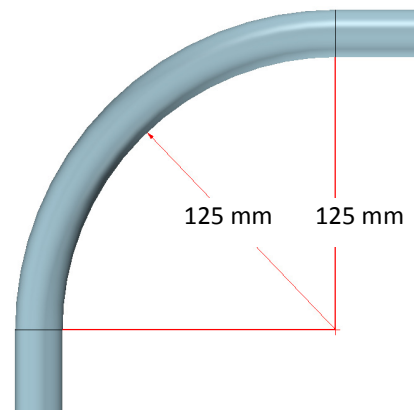
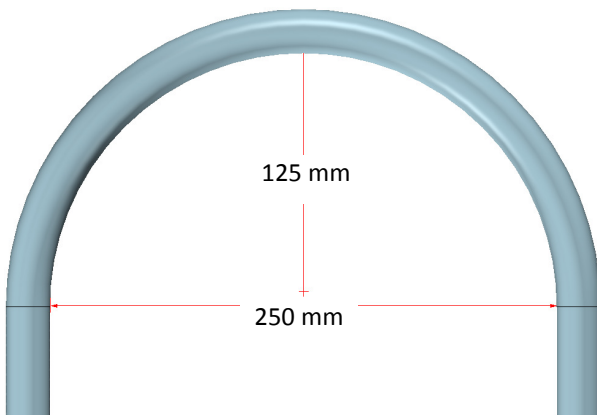


- DK** - Når slangen installeres er det vigtigt at undgå skarpe kanter, der kan beskadige slangen
- Det er vigtigt at undgå skarpe buk når slanges installeres, se bukkeradius nedenfor
- Der bør benyttes et smøremiddel ved tilslutning af slangen
- Det er vigtigt at slangen bevarer sin runde form, igennem hele installationen
- UK** - When installing the hose it is important that you avoid sharp edges, which can damage the hose
- It is important that you avoid any sharp bends when installing the hose, see bending radius below
- Use a lubricant, when connecting the hose to the hose barbs
- It is very important that the hose keeps its round shape, all the way through the installation

 Warm up the hose ends with warm water (max 60 °C) and lubricate for easier installation

40 BAR PVC HOSE MINIMUM BENDING RADIUS

12/20mm



19/28mm

